

B/SB Series – Bare Tube Bundle Shell & Tube Water to Oil Cooling

The B/SB Series is very versatile in its ability to accommodate multiple application requirements. 700, 1000, 1200 and 1600 sizes feature 3/8" tube option for less pressure drop. 1/4" tube offers greater surface area, and multiple baffle spacing options to optimize heat transfer.

The **B** series is a non-ferrous design, with Brass construction, which makes it ideal for water to water, including sea water cooling applications.

Competitively priced **SB** Series, Steel construction version is the same as the **B** series, and mainly used for standard hydraulic applications.



Options

90/10 copper nickel cooling tubes, bronze end bonnets for sea water service and zinc anodes

How to Order

Model Series

Model Size Selected

Baffle Spacing

Tube Diameter Code

Tubeside

Shell Material

Cooling Tube Material

End Bonnet Material

Zinc Anodes

B Series - Brass Hub and Shell

- B** - NPT Shell Side connections x NPT Tube Side connections
 - BS** - SAE O-Ring Shell Side connections x NPT Tube Side connections
 - BM** - BSPP Shell Side connections x BSPP Tube Side connections
 - BF** - SAE Flange (with UNC threads) Shell Side connections x NPT Tube Side connections
 - BFM** - SAE Flange (with Metric threads) Shell Side connections x BSPP Tube Side connections
- SAE flanges available on some models. Consult factory for details.**

SB Series - Steel Hub and Shell

- SB** - NPT Shell Side x NPT Tube Side
- SBF** - SAE Flange (with UNC threads) Shell Side connections x NPT Tube Side connections

401, 402, 701, 702, 703, 1002, 1003, 1004, 1202, 1204, 1203, 1205, 1206, 1207, 1208, 1602, 1603, 1604, 1605, 1606, 1607, 1608, 1609, 1610
 (See Performance Curve Chart on page 3 for sizes or **XSelector**® sizing program)

- A** - 1.125 **C** - 4.5
- B** - 2.25 **D** - 9.0

(Baffle spacing is dependent on applicable sizes found in sizing charts on page 3 or can be determined by using **XSelector**® sizing program)

- 4** - 1/4"
- 6** - 3/8" (Not Available in 400 Sizes)

- 0** - One Pass
- T** - Two Pass
- F** - Four Pass

- Blank** - Steel
- BR** - Brass

- Blank** - Copper
- CN** - Copper Nickel

- Blank** - Cast Iron
- B** - Bronze (B Series Only)

- Blank** - None
- Z** - Zinc

Features

Young Touchstone thermal interchange

Sea water applications (B Series only), end model code with BR-CN-B-Z

Water to Water applications (B Series only)

Cooling Tube Side Material Options

- Standard Steel
- Copper Nickel
- Bronze

Multiple Connection Options

- NPT x NPT
- SAE x NPT
- SAE Code 61 x NPT
- BSPP x BSP

End Bonnets Removable for Servicing

Mounting Feet Included (May be rotated in 90° increments)

Materials

Tubes Copper / Copper Nickel

Hubs - B – Brass, **SB** - Cast Iron

Shell - B – Brass, **SB** - Steel

Baffles Brass

End Bonnets Cast Iron / Bronze

Mounting Brackets Carbon Steel

Gaskets Nitrile Rubber / Cellulose Fiber

Nameplate Aluminum Foil

Ratings

Maximum Operating Pressure - Shell Side
250 PSI

Maximum Operating Pressure - Tube Side
150 PSI

Maximum Operating Temperature
350°F

* To register for **XSelector**® please go to www.thermaltransfer.com/get-in-touch/ and complete the **XSelector**® Inquiry form and submit. Download the **XSelector**® for both Apple and Android formats by searching for **XSelector**® in their App Stores. You must first register for **XSelector**® before using it on mobile devices.

Selection Procedure

Performance Curves are based on 100SSU oil leaving the cooler 40°F higher than the water temperature used for cooling. This is also referred to as a 40°F approach temperature. Curves are based on a 2:1 oil to water flow ratio. Curves are 1:1.

STEP 1 Determine the Heat Load. This will vary with different systems, but typically coolers are sized to remove 25 to 50% of the input nameplate horsepower. (Example: 100 HP Power Unit x .33 = 33 HP Heat load.)
If BTU/HR is known: $HP = \frac{BTU/HR}{2545}$

STEP 2 Determine Approach Temperature. Desired oil leaving cooler °F – Water Inlet temp. °F = Actual Approach (Max. reservoir temp.)

STEP 3 Determine Curve Horsepower Heat Load. Enter the information from above:
$$\text{Horsepower heat load} \times \frac{40}{\text{Actual Approach}} \times \frac{\text{Viscosity}}{\text{Correction A}} = \text{Curve Horsepower}$$

STEP 4 Enter curves at oil flow through cooler and curve horsepower. Any curve above the intersecting point will work.

STEP 5 Determine Oil Pressure Drop from Curves:
l = 5 PSI n = 10 PSI s = 20 PSI Multiply pressure drop from curve by correction factor B found on oil viscosity correction curve.

Oil Temperature

Oil coolers can be selected using entering or leaving oil temperatures.

Typical operating temperature ranges are:

Hydraulic Oil	110°F - 130°F
Hydrostatic Drive Oil	130°F - 180°F
Bearing Lube Oil	120°F - 160°F
Lube Oil Circuits	110°F - 130°F

Desired Reservoir Temperature

Return Line Cooling: Desired temperature is the oil temperature leaving the cooler. This will be the same temperature that will be found in the reservoir.

Off-Line Recirculation Cooling Loop: Desired temperature is the oil temperature entering the cooler. In this case, the oil temperature change must be determined so that the actual oil leaving temperature can be found. Calculate the oil temperature change (Oil ΔT) with this formula:

$$\text{Oil } \Delta T = (\text{BTUs/HR}) / (\text{GPM Oil Flow} \times 210).$$

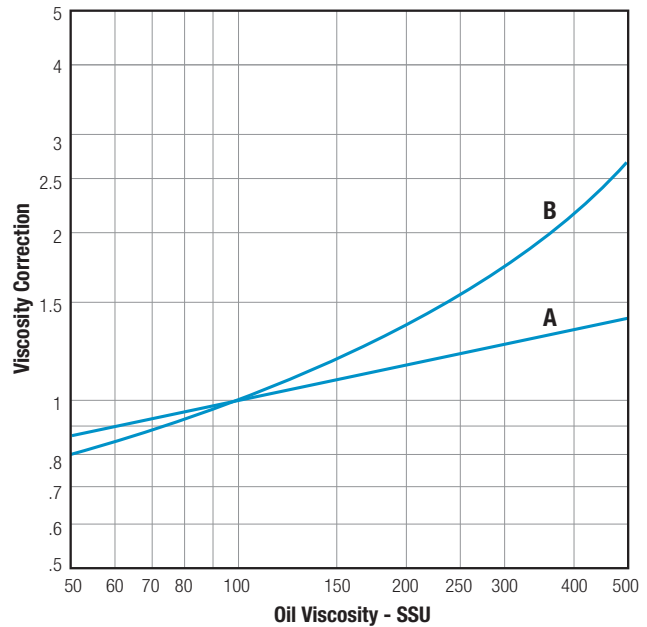
To calculate the oil leaving temperature from the cooler, use this formula:

$$\text{Oil Leaving Temp.} = \text{Oil Entering Temp} - \text{Oil } \Delta T.$$

This formula may also be used in any application where the only temperature available is the entering oil temperature.

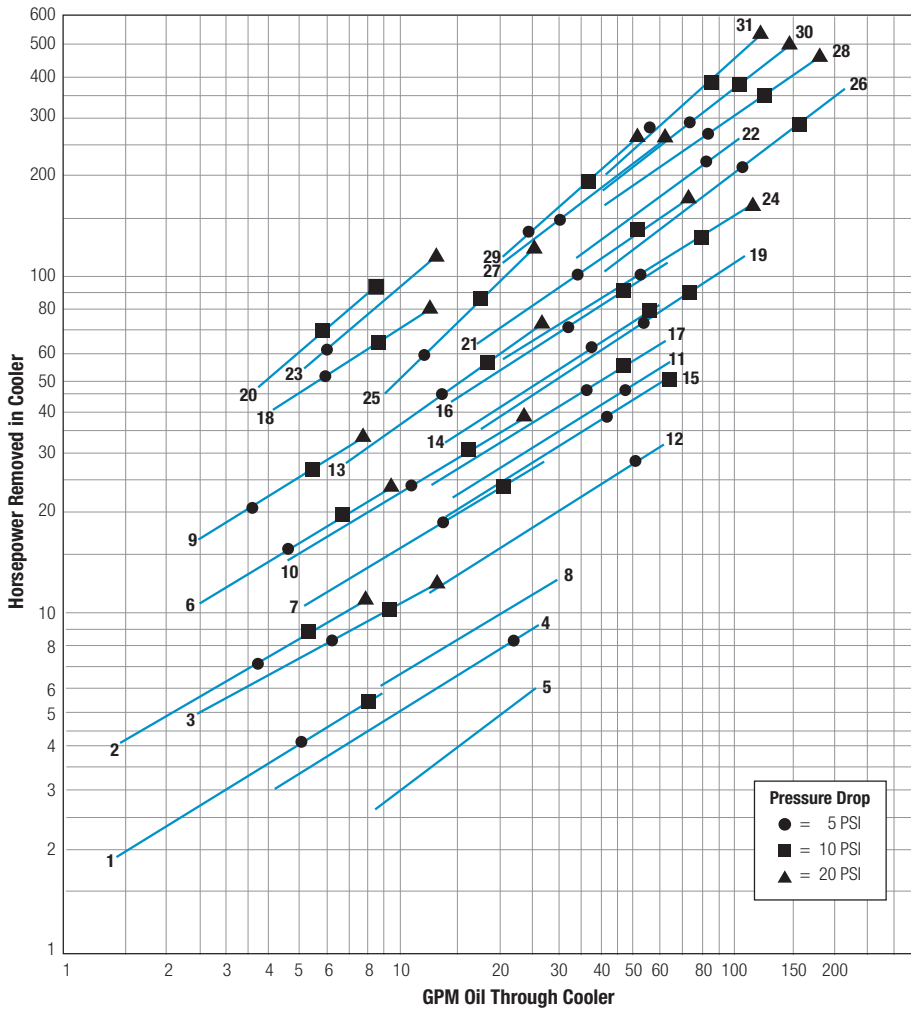
Oil Pressure Drop: Most systems can tolerate a pressure drop through the heat exchanger of 20 to 30 PSI. Excessive pressure drop should be avoided. Care should be taken to limit pressure drop to 5 PSI or less for case drain applications where high back pressure may damage the pump shaft seals.

Viscosity Correction



Performance Curves

For additional sizing information consider using TTP's **XSelector®** online sizing Program.*



Curve Number	Model	Shipping Weight (LBS)
1	B-401-A4-0	7
2	B-402-A4-0	10
3	B-701-A4-T	23
4	B-701-B6-F	23
5	B-701-C6-T	23
6	B-702-A4-T	28
7	B-702-B4-F	28
8	B-702-C6-T	28
9	B-703-A4-T	35
10	B-703-B4-F	35
11	B-1002-C4-T	49
12	B-1002-C6-T	49
13	B-1003-B4-F	65
14	B-1003-C4-T	65
15	B-1003-C6-T	65
16	B-1004-C4-T	72
17	B-1004-C6-T	72
18	B-1202-A4-F	72
19	B-1202-C4-F	72
20	B-1204-A4-F	110
21	B-1204-C4-F	110
22	B-1206-D4-F	160
23	B-1602-A4-F	145
24	B-1602-C4-F	145
25	B-1604-B4-F	195
26	B-1604-D4-F	195
27	B-1606-C4-F	259
28	B-1606-D4-F	259
29	B-1608-C4-F	310
30	B-1608-D4-F	310
31	B-1610-D4-F	400

Shipping weights are approximate.

Maximum Flow Rates

Example Model No.

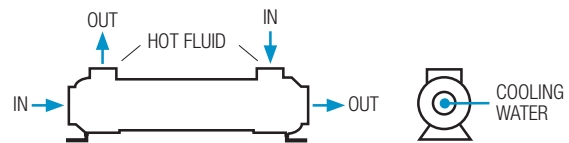
B - 1003 - C4 - F

Unit Size	Shell Side (GPM)		Baffle Spacing		Tube Side (GPM)		
	A	B	C	D	O	T	F
400	9.6	—	—	—	25	—	—
700	17	29	29	—	61	31	15
1000	24	48	69	69	146	73	37
1200	29	57	115	115	224	112	56
1600	37	74	149	253	363	181	91

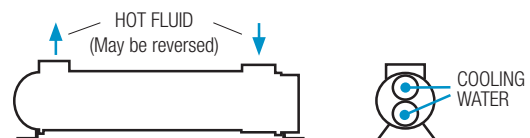
Caution: Incorrect installation can cause this product to fail prematurely, causing the shell side and tube side fluids to intermix.

Piping Diagram

One Pass



Two and Four Pass



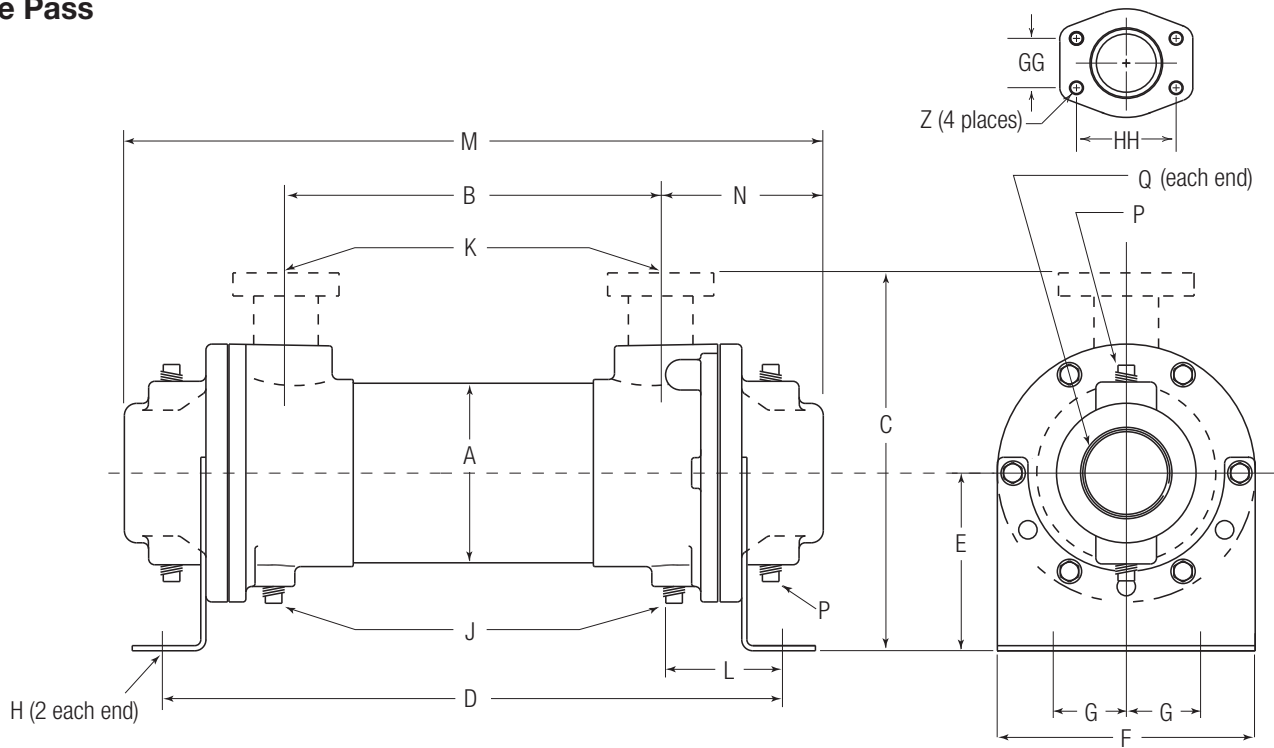
Specific applications may have different piping arrangements. Contact factory for assistance.

* To register for **XSelector®** please go to www.thermaltransfer.com/get-in-touch/ and complete the **XSelector®** Inquiry form and submit.

Download the **XSelector®** for both Apple and Android formats by searching for **XSelector®** in their App Stores. You must first register for **XSelector®** before using it on mobile devices.

Dimensions

One Pass



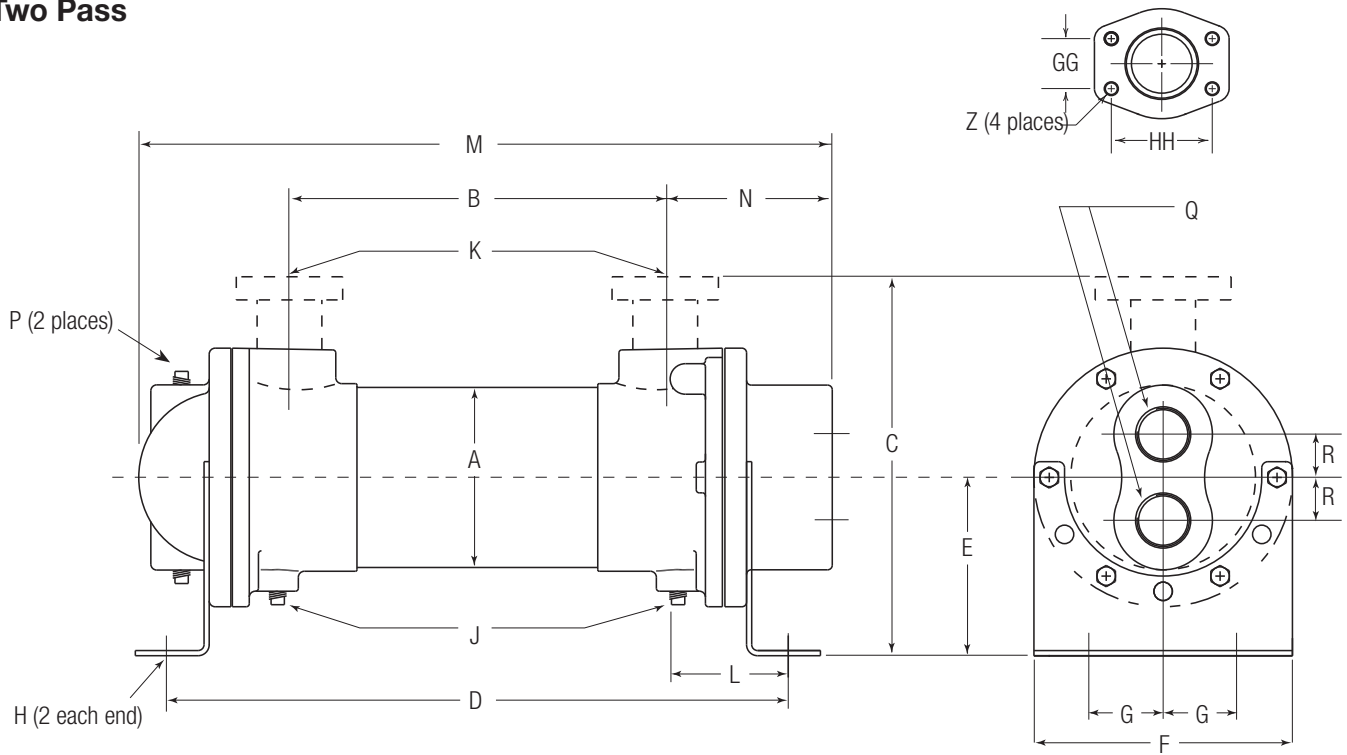
Flange Size	GG	HH	Z - BF	Z - BFM
1	1.03	2.06	3/8-16 UNC	M-10
1.50	1.41	2.75	1/2-13 UNC	M-12
2	1.69	3.06	1/2-13 UNC	M-12
3	2.44	4.19	5/8-11 UNC	M-16

Model	A	B	C		D	E	F	G	H	J NPT	K		L	M	N	P NPT	Q NPT	
			NPT/BSPP SAE O-Ring	SAE Flange							NPT/BSPP Flange	SAE O-Ring						
B-401	2.13	7.62	3.50	—	11.04	1.94	2.62	.88	.41 Dia.	—	* 1/2	-8	1.72	11.24	1.81	—	1	
B-402	2.13	16.62	3.50	—	20.04	1.94	2.62	.88	.41 Dia.	—	* 1/2	3/4-16	1.72	20.24	1.81	—	1	
B-701	3.66	7.00	6.25	7.75	12.01	3.62	5.25	1.50	.44 x 1.00	(2) 3/8	1	-16 1 1/16-12	2.69	13.62	3.31	(4) 3/8	1 1/2	
B-702	3.66	16.00	6.25	7.75	21.01	3.62	5.25	1.50	.44 x 1.00	(2) 3/8	1		2.69	22.62	3.31	(4) 3/8	1 1/2	
B-703	3.66	25.00	6.25	7.75	30.01	3.62	5.25	1.50	.44 x 1.00	(2) 3/8	1		2.69	31.62	3.31	(4) 3/8	1 1/2	
B-1002	5.13	15.50	7.38	8.46	21.71	4.00	6.75	2.00	.44 x 1.00	(6) 3/8	1 1/2	-24 1 7/8-12	3.06	23.75	4.12	(4) 3/8	2	
B-1003	5.13	24.50	7.38	8.46	30.71	4.00	6.75	2.00	.44 x 1.00	(6) 3/8	1 1/2		3.06	32.75	4.12	(4) 3/8	2	
B-1004	5.13	33.50	7.38	8.46	39.71	4.00	6.75	2.00	.44 x 1.00	(6) 3/8	1 1/2		3.06	41.75	4.12	(4) 3/8	2	
B-1202	6.13	14.62	8.83	10.50	21.67	4.77	7.50	2.50	.44 x .88	(6) 3/8	2	-32 2 1/2-12	3.52	24.53	4.95	(4) 1/2	3	
B-1203	6.13	23.50	8.83	10.50	30.54	4.77	7.50	2.50	.44 x .88	(6) 3/8	2		3.52	33.40	4.95	(4) 1/2	3	
B-1204	6.13	32.38	8.83	10.50	39.42	4.77	7.50	2.50	.44 x .88	(6) 3/8	2		3.52	42.28	4.95	(4) 1/2	3	
B-1205	6.13	41.38	8.83	10.50	48.42	4.77	7.50	2.50	.44 x .88	(6) 3/8	2		3.52	51.28	4.95	(4) 1/2	3	
B-1206	6.13	50.50	8.83	10.50	57.54	4.77	7.50	2.50	.44 x .88	(6) 3/8	2		3.52	60.41	4.95	(4) 1/2	3	
B-1207	6.13	59.50	8.83	10.50	66.54	4.77	7.50	2.50	.44 x .88	(6) 3/8	2		3.52	69.41	4.95	(4) 1/2	3	
B-1208	6.13	68.38	8.83	10.50	75.33	4.77	7.50	2.50	.44 x .88	(6) 3/8	2		3.52	78.19	4.95	(4) 1/2	3	
B-1602	8.00	13.60	12.13	15.37	22.50	6.50	8.63	3.50	.44 x 1.00	(6) 3/8	3		-32 2 1/2-12	4.45	26.75	6.58	(4) 1/2	4
B-1603	8.00	22.60	12.13	15.37	31.50	6.50	8.63	3.50	.44 x 1.00	(6) 3/8	3			4.45	35.75	6.58	(4) 1/2	4
B-1604	8.00	31.60	12.13	15.37	40.50	6.50	8.63	3.50	.44 x 1.00	(6) 3/8	3			4.45	44.75	6.58	(4) 1/2	4
B-1605	8.00	40.60	12.13	15.37	49.50	6.50	8.63	3.50	.44 x 1.00	(6) 3/8	3	4.45		53.75	6.58	(4) 1/2	4	
B-1606	8.00	49.60	12.13	15.37	58.50	6.50	8.63	3.50	.44 x 1.00	(6) 3/8	3	4.45		62.75	6.58	(4) 1/2	4	
B-1607	8.00	58.60	12.13	15.37	67.50	6.50	8.63	3.50	.44 x 1.00	(6) 3/8	3	4.45		71.75	6.58	(4) 1/2	4	
B-1608	8.00	67.60	12.13	15.37	76.50	6.50	8.63	3.50	.44 x 1.00	(6) 3/8	3	4.45		80.75	6.58	(4) 1/2	4	
B-1609	8.00	76.60	12.13	15.37	85.50	6.50	8.63	3.50	.44 x 1.00	(6) 3/8	3	4.45		89.75	6.58	(4) 1/2	4	
B-1610	8.00	85.60	12.13	15.37	94.50	6.50	8.63	3.50	.44 x 1.00	(6) 3/8	3	4.45		98.75	6.58	(4) 1/2	4	

*B-401 and B-402 SAE Flange not available. NOTE: We reserve the right to make reasonable design changes without notice. Consult factory. All dimensions are inches.

Dimensions

Two Pass



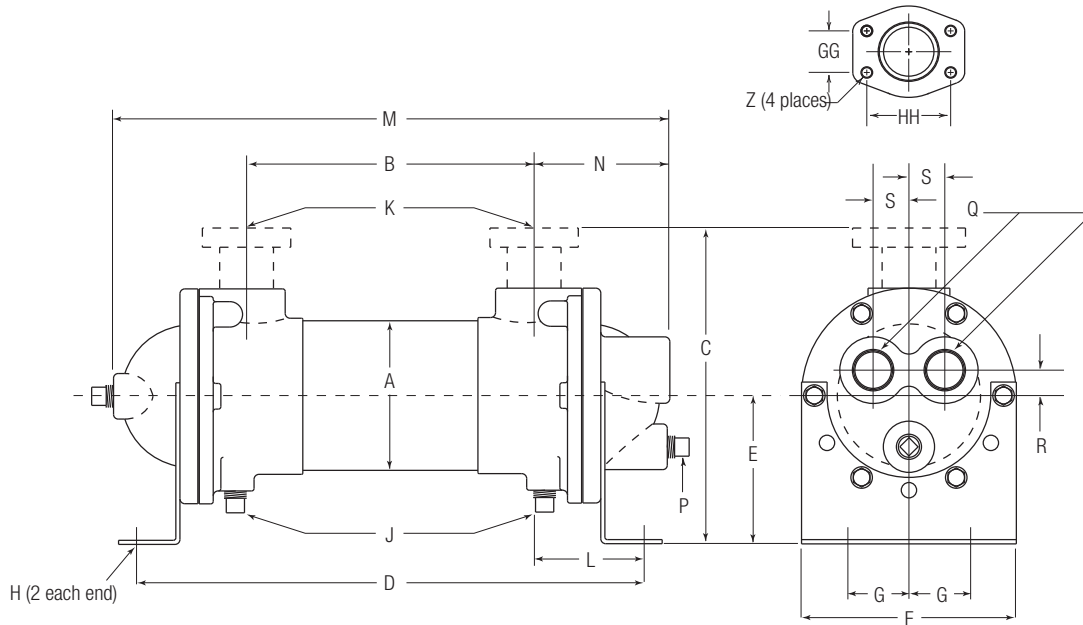
Flange Size	GG	HH	Z - BF	Z - BFM
1	1.03	2.06	3/8-16 UNC	M-10
1.50	1.41	2.75	1/2-13 UNC	M-12
2	1.69	3.06	1/2-13 UNC	M-12
3	2.44	4.19	5/8-11 UNC	M-16

Model	A	B	C		D	E	F	G	H	J	K		L	M	N	P	Q	R	
			NPT/BSPP SAE O-Ring	SAE Flange							NPT/BSPP Flange	SAE O-Ring							
B-701	3.66	7.00	6.25	7.75	12.01	3.62	5.25	1.50	.44 x 1.00	(2) 3/8	1	-16 1 1/16-12	2.69	13.51	3.38	(2) 3/8	1	.88	
B-702	3.66	16.00	6.25	7.75	21.01	3.62	5.25	1.50	.44 x 1.00	(2) 3/8	1		2.69	22.44	3.38	(2) 3/8	1	.88	
B-703	3.66	25.00	6.25	7.75	30.01	3.62	5.25	1.50	.44 x 1.00	(2) 3/8	1		2.69	31.44	3.38	(2) 3/8	1	.88	
B-1002	5.13	15.50	7.38	8.46	21.71	4.00	6.75	2.00	.44 x 1.00	(6) 3/8	1 1/2	-24 1 1/8-12	3.06	23.44	3.88	(2) 3/8	1 1/2	1.19	
B-1003	5.13	24.50	7.38	8.46	30.71	4.00	6.75	2.00	.44 x 1.00	(6) 3/8	1 1/2		3.06	32.44	3.88	(2) 3/8	1 1/2	1.19	
B-1004	5.13	33.50	7.38	8.46	39.71	4.00	6.75	2.00	.44 x 1.00	(6) 3/8	1 1/2		3.06	41.44	3.88	(2) 3/8	1 1/2	1.19	
B-1202	6.13	14.62	8.83	10.50	21.67	4.77	7.50	2.50	.44 x .88	(6) 3/8	2	-32 2 1/2-12	3.52	24.09	4.64	(2) 1/2	2	1.44	
B-1203	6.13	23.50	8.83	10.50	30.54	4.77	7.50	2.50	.44 x .88	(6) 3/8	2		3.52	32.96	4.64	(2) 1/2	2	1.44	
B-1204	6.13	32.38	8.83	10.50	39.42	4.77	7.50	2.50	.44 x .88	(6) 3/8	2		3.52	41.84	4.64	(2) 1/2	2	1.44	
B-1205	6.13	41.38	8.83	10.50	48.42	4.77	7.50	2.50	.44 x .88	(6) 3/8	2		3.52	50.84	4.64	(2) 1/2	2	1.44	
B-1206	6.13	50.50	8.83	10.50	57.55	4.77	7.50	2.50	.44 x .88	(6) 3/8	2		3.52	59.97	4.64	(2) 1/2	2	1.44	
B-1207	6.13	59.50	8.83	10.50	66.55	4.77	7.50	2.50	.44 x .88	(6) 3/8	2		3.52	68.97	4.64	(2) 1/2	2	1.44	
B-1208	6.13	68.38	8.83	10.50	75.42	4.77	7.50	2.50	.44 x .88	(6) 3/8	2		3.52	77.84	4.64	(2) 1/2	2	1.44	
B-1602	8.00	13.60	12.13	15.37	22.38	6.50	8.63	3.50	.44 x 1.00	(6) 3/8	3		-32 2 1/2-12	4.39	25.23	6.14	(2) 1/2	2 1/2	1.88
B-1603	8.00	22.60	12.13	15.37	31.38	6.50	8.63	3.50	.44 x 1.00	(6) 3/8	3			4.39	34.23	6.14	(2) 1/2	2 1/2	1.88
B-1604	8.00	31.60	12.13	15.37	40.38	6.50	8.63	3.50	.44 x 1.00	(6) 3/8	3			4.39	43.23	6.14	(2) 1/2	2 1/2	1.88
B-1605	8.00	40.60	12.13	15.37	49.38	6.50	8.63	3.50	.44 x 1.00	(6) 3/8	3	4.39		52.23	6.14	(2) 1/2	2 1/2	1.88	
B-1606	8.00	49.60	12.13	15.37	58.38	6.50	8.63	3.50	.44 x 1.00	(6) 3/8	3	4.39		61.23	6.14	(2) 1/2	2 1/2	1.88	
B-1607	8.00	58.60	12.13	15.37	67.38	6.50	8.63	3.50	.44 x 1.00	(6) 3/8	3	4.39		70.23	6.14	(2) 1/2	2 1/2	1.88	
B-1608	8.00	67.60	12.13	15.37	76.38	6.50	8.63	3.50	.44 x 1.00	(6) 3/8	3	4.39		79.23	6.14	(2) 1/2	2 1/2	1.88	
B-1609	8.00	76.60	12.13	15.37	85.38	6.50	8.63	3.50	.44 x 1.00	(6) 3/8	3	4.39		88.23	6.14	(2) 1/2	2 1/2	1.88	
B-1610	8.00	85.60	12.13	15.37	94.38	6.50	8.63	3.50	.44 x 1.00	(6) 3/8	3	4.39		97.23	6.14	(2) 1/2	2 1/2	1.88	

NOTE: We reserve the right to make reasonable design changes without notice. Consult factory. All dimensions are inches.

Dimensions

Four Pass



Flange Size	GG	HH	Z - BF	Z - BFM
1	1.03	2.06	3/8-16 UNC	M-10
1.50	1.41	2.75	1/2-13 UNC	M-12
2	1.69	3.06	1/2-13 UNC	M-12
3	2.44	4.19	5/8-11 UNC	M-16

Model	A	B	C		D	E	F	G	H	J NPT	K		L	M	N	P NPT	Q NPT	R	S
			NPT/BSPP SAE O-Ring	SAE Flange							NPT/BSPP Flange	SAE O-Ring							
B-701	3.66	7.00	6.25	7.75	12.01	3.62	5.25	1.50	.44 x 1.00	(2) 3/8	1	-16 1 1/16-12	2.69	13.57	3.32	(3) 3/8	3/4	.62	.88
B-702	3.66	16.00	6.25	7.75	21.01	3.62	5.25	1.50	.44 x 1.00	(2) 3/8	1		2.69	22.57	3.32	(3) 3/8	3/4	.62	.88
B-703	3.66	25.00	6.25	7.75	30.01	3.62	5.25	1.50	.44 x 1.00	(2) 3/8	1		2.69	31.57	3.32	(3) 3/8	3/4	.62	.88
B-1002	5.13	15.50	7.38	8.46	21.71	4.00	6.75	2.00	.44 x 1.00	(6) 3/8	1 1/2	-24 1 1/8-12	3.06	23.65	4.15	(3) 3/8	1	.75	1.34
B-1003	5.13	24.50	7.38	8.46	30.71	4.00	6.75	2.00	.44 x 1.00	(6) 3/8	1 1/2		3.06	32.65	4.15	(3) 3/8	1	.75	1.34
B-1004	5.13	33.50	7.38	8.46	39.71	4.00	6.75	2.00	.44 x 1.00	(6) 3/8	1 1/2		3.06	41.65	4.15	(3) 3/8	1	.75	1.34
B-1202	6.13	14.62	8.83	10.50	21.67	4.77	7.50	2.50	.44 x .88	(6) 3/8	2	-32 2 1/2-12	3.52	24.59	4.98	(1) 1/2 I/O (2) 3/8 Return	1 1/2	1.06	1.41
B-1203	6.13	23.50	8.83	10.50	30.54	4.77	7.50	2.50	.44 x .88	(6) 3/8	2		3.52	33.46	4.98	(1) 1/2 I/O (2) 3/8 Return	1 1/2	1.06	1.41
B-1204	6.13	32.38	8.83	10.50	39.42	4.77	7.50	2.50	.44 x .88	(6) 3/8	2		3.52	42.34	4.98	(1) 1/2 I/O (2) 3/8 Return	1 1/2	1.06	1.41
B-1205	6.13	41.88	8.83	10.50	48.42	4.77	7.50	2.50	.44 x .88	(6) 3/8	2		3.52	51.34	4.98	(1) 1/2 I/O (2) 3/8 Return	1 1/2	1.06	1.41
B-1206	6.13	50.50	8.83	10.50	57.55	4.77	7.50	2.50	.44 x .88	(6) 3/8	2		3.52	60.47	4.98	(1) 1/2 I/O (2) 3/8 Return	1 1/2	1.06	1.41
B-1207	6.13	59.50	8.83	10.50	66.55	4.77	7.50	2.50	.44 x .88	(6) 3/8	2		3.52	69.47	4.98	(1) 1/2 I/O (2) 3/8 Return	1 1/2	1.06	1.41
B-1208	6.13	68.38	8.83	10.50	75.33	4.77	7.50	2.50	.44 x .88	(6) 3/8	2		3.52	78.25	4.98	(1) 1/2 I/O (2) 3/8 Return	1 1/2	1.06	1.41
B-1602	8.00	13.60	12.13	15.37	22.56	6.50	8.63	3.50	.44 x 1.00	(6) 3/8	3		4.51	26.85	6.55	(3) 1/2	2	1.88	1.88
B-1603	8.00	22.60	12.13	15.37	31.56	6.50	8.63	3.50	.44 x 1.00	(6) 3/8	3		4.51	35.85	6.55	(3) 1/2	2	1.88	1.88
B-1604	8.00	31.60	12.13	15.37	40.56	6.50	8.63	3.50	.44 x 1.00	(6) 3/8	3		4.51	44.85	6.55	(3) 1/2	2	1.88	1.88
B-1605	8.00	40.60	12.13	15.37	49.56	6.50	8.63	3.50	.44 x 1.00	(6) 3/8	3	4.51	53.85	6.55	(3) 1/2	2	1.88	1.88	
B-1606	8.00	49.60	12.13	15.37	58.56	6.50	8.63	3.50	.44 x 1.00	(6) 3/8	3	4.51	62.85	6.55	(3) 1/2	2	1.88	1.88	
B-1607	8.00	58.60	12.13	15.37	67.56	6.50	8.63	3.50	.44 x 1.00	(6) 3/8	3	4.51	71.85	6.55	(3) 1/2	2	1.88	1.88	
B-1608	8.00	67.60	12.13	15.37	76.56	6.50	8.63	3.50	.44 x 1.00	(6) 3/8	3	4.51	80.85	6.55	(3) 1/2	2	1.88	1.88	
B-1609	8.00	76.60	12.13	15.37	85.56	6.50	8.63	3.50	.44 x 1.00	(6) 3/8	3	4.51	89.85	6.55	(3) 1/2	2	1.88	1.88	
B-1610	8.00	85.60	12.13	15.37	94.56	6.50	8.63	3.50	.44 x 1.00	(6) 3/8	3	4.51	98.85	6.55	(3) 1/2	2	1.88	1.88	

NOTE: We reserve the right to make reasonable design changes without notice. Consult factory. All dimensions are inches.