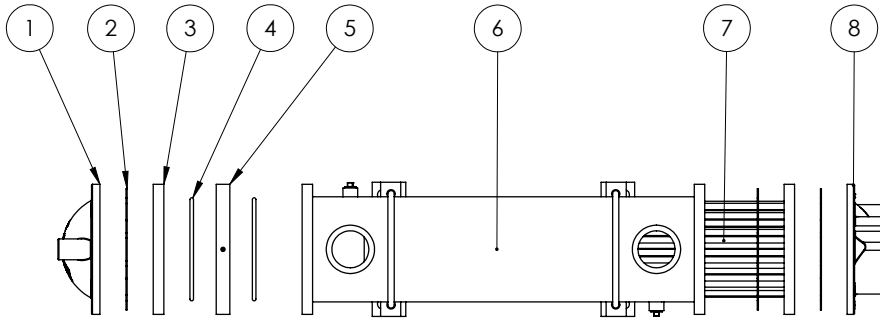


HCR Series Service Parts



Item Number	Description	Qty.
1	Return Bonnet	1
2	Gasket	3
3	Floating Flange	1
4	O-Ring	2
5	Retainer Ring	1
6	Shell Assembly	1
7	Bundle	1
8	In/Out Bonnet	1

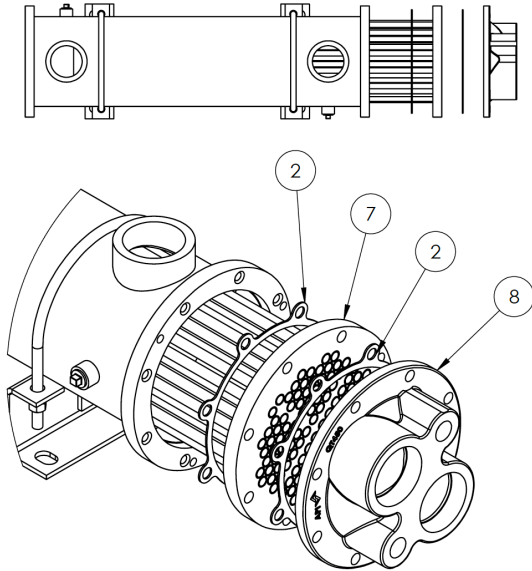
HCR Service Parts

Item	Size	
	1200	1700
*Seal Kit	SP52954	SP52950
**Ring Kit	SP52955	SP52951
Hardware Kit In/Out	SP52956	SP52952
Hardware Kit Return	SP52957	SP52953
Two Pass In/Out Bonnet	SP57500	SP57503
Two Pass Return Bonnet	SP57501	SP57504
One Pass Bonnet	SP57502	SP57505

*Seal kit includes 3x gaskets (Item no. 2) and 2x O-rings (Item no. 4)

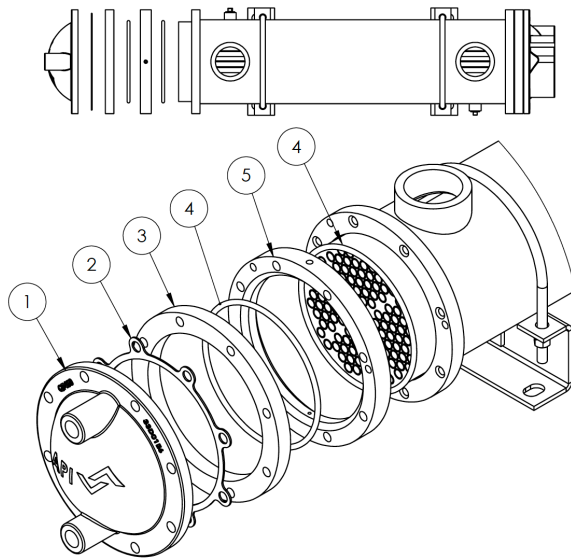
**Ring kit includes 1x floating flange (Item no. 3) and 1x retainer ring (Item no. 5)

Assembly Stage 1 (Bundle and I/O Bonnet)



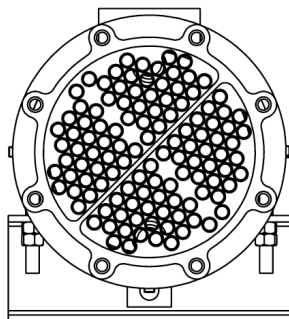
TWO PASS I/O BONNET SHOWN

Assembly Stage 2 (Return End Components and Bonnet)



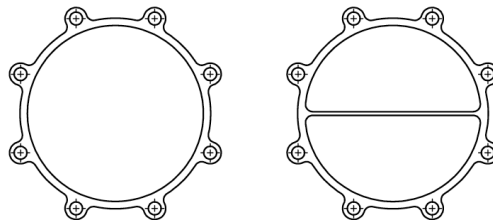
TWO PASS RET BONNET SHOWN

Tube Pattern Orientation I/O End



TWO PASS GASKET SHOWN

Gasket Variations



ONE PASS

TWO PASS

TWO PASS GASKET ONLY USED W/ TWO PASS I/O BONNET

NOTES

GUIDE RODS CAN BE USED TO FACILITATE ALIGNMENT BEFORE INSTALLING HARDWARE
 I/O END HADWARE TO BE INSTALLED BEFORE ASSEMBLY STAGE 2